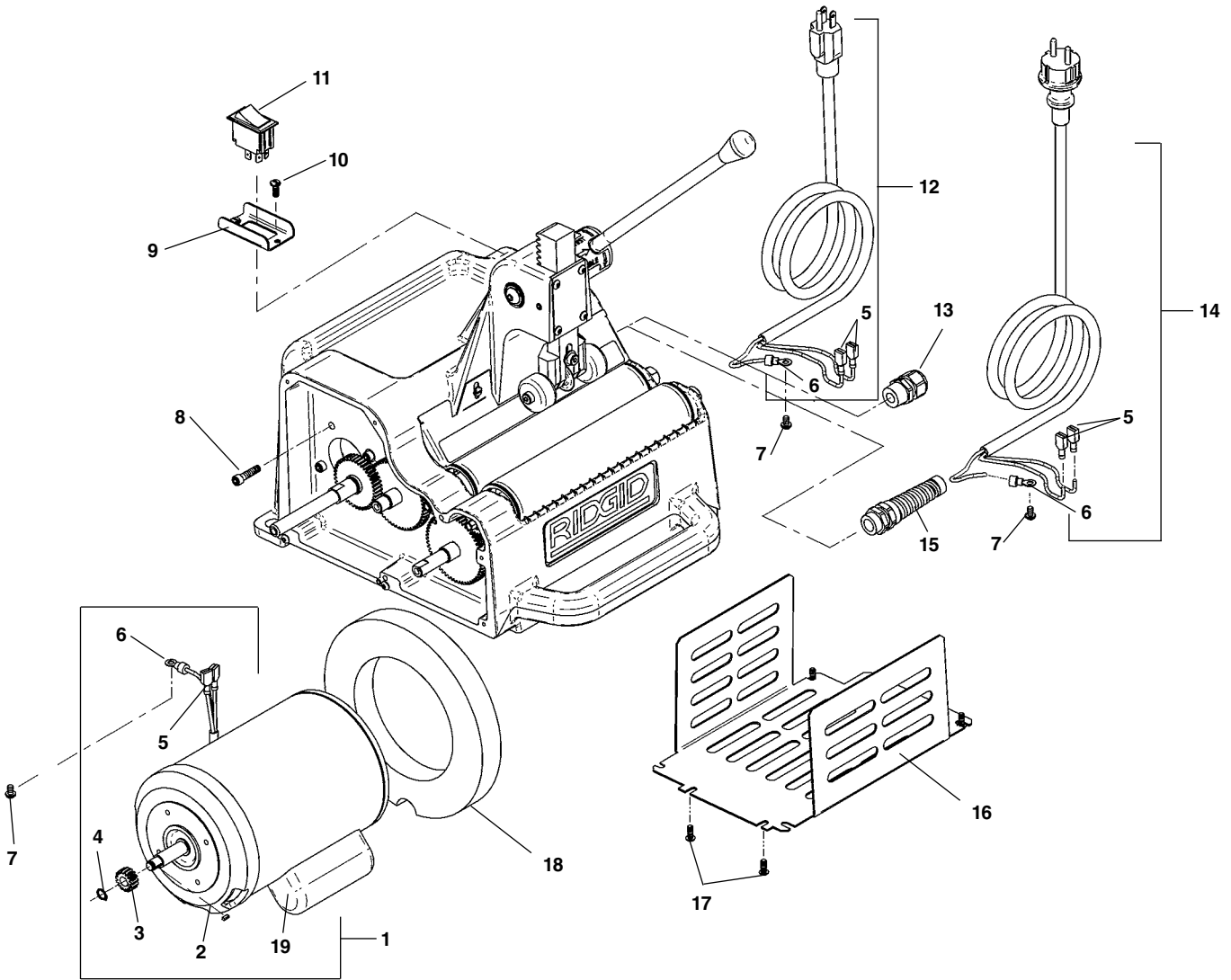


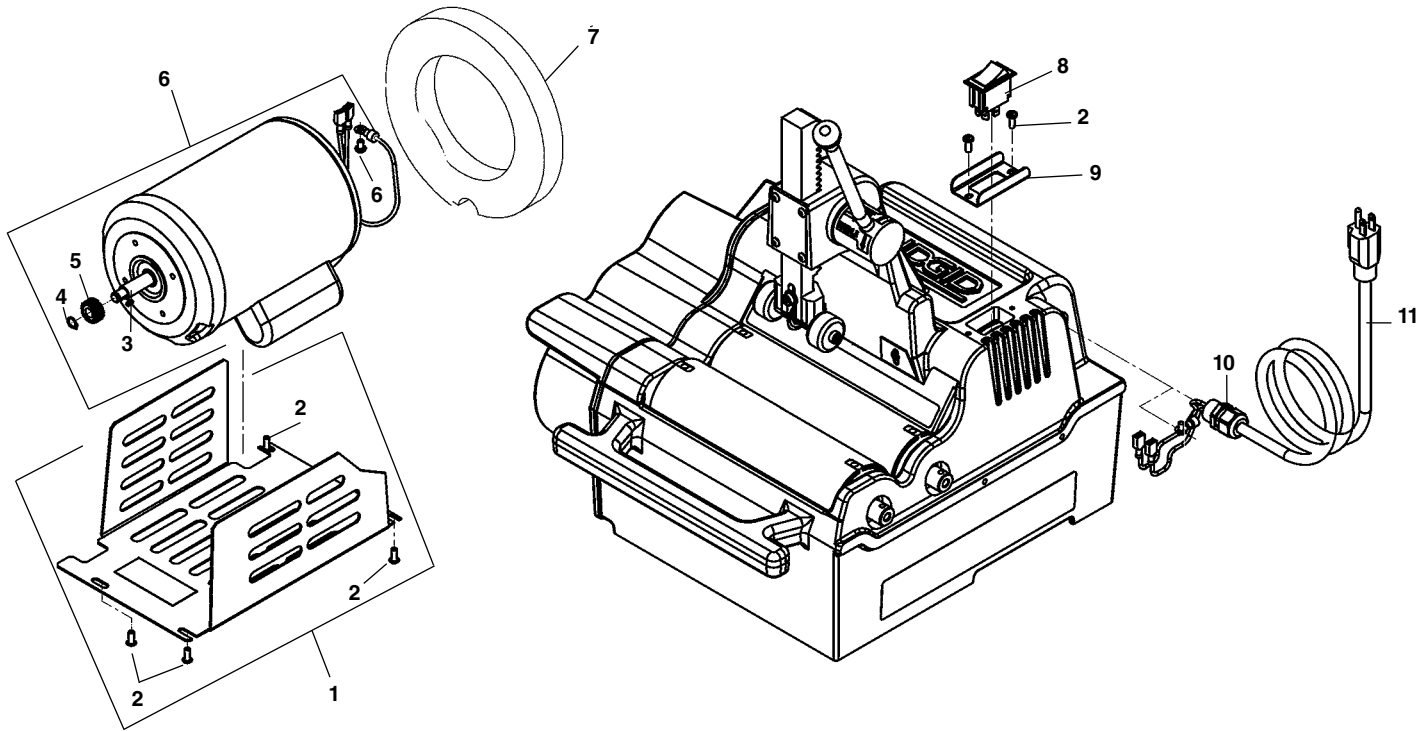
Electrical



**NOTE: Order parts by Catalog Number only.  
DO NOT order by Reference Number.**

Ref. No.	Catalog No.	Description	Ref. No.	Catalog No.	Description
1	94842	Motor, 1/3 H.P. - 115V	10	45275	Screw (2)
	10403	Motor 220V 50Hz (Europe)	11	58597	Switch, DPST
	31143	Motor 100V	12	69327	Line Cord 115V
2	94787	Key, Square 3/32" x 1/4"	13	69107	Strain Relief
3	94847	Gear	14	39562	Line Cord 220V 50Hz (Europe)
4	94822	Retaining Ring	15	27187	Strain Relief (Europe)
5	89190	Female Disconnect (4)	16	94862	Motor Cover
6	58587	Terminal Ring (2)	17	94752	Screw, Phillips #10 - 24 x 3/8" (4)
7	45420	Ground Screw #10 - 24 x 3/8" (2)	18	94667	Motor Baffle
8	83685	Screw, Socket Head 1/4" - 20 (4)	19	20348	Motor Capacitor
9	10408	Switch Guard			

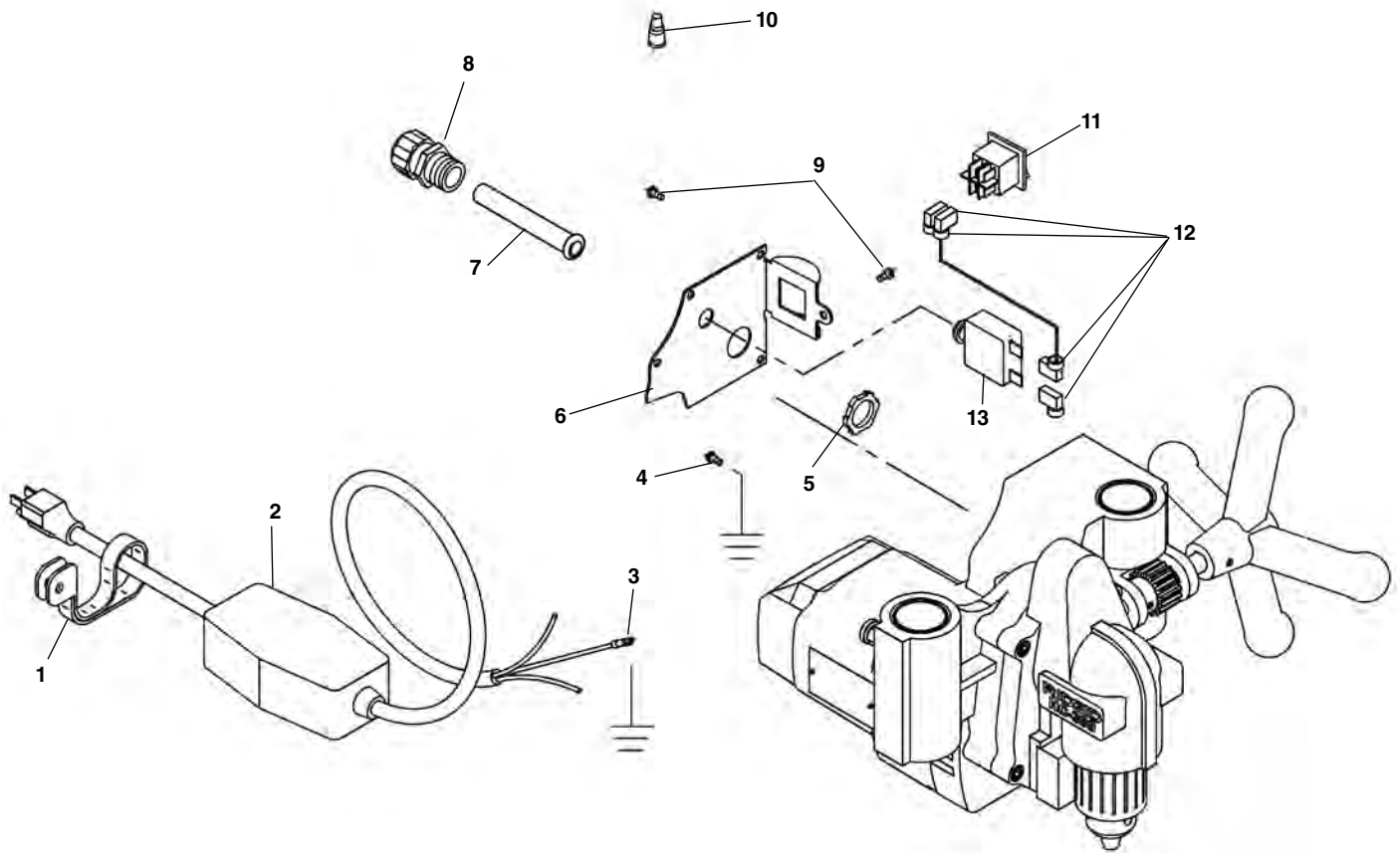
## Electrical



**NOTE: Order parts by Catalog Number only.  
DO NOT order by Reference Number.**

Ref. No.	Catalog No.	Description
1	13168	Motor Cover (Inc. Ref. 2)
2	94752	Screw 10 - 24
3	94787	Key $\frac{3}{32}$ " x $\frac{1}{4}$ "
4	94822	Retaining Ring
5	94847	Pinion Gear
6	94842	Motor 1/3 Hp 115V
7	94667	Motor Baffle
8	58597	Switch
9	10408	Switch Guard
10	69107	Strain Relief
11	69327	Power Cord 115V
—	20348	Motor Capacitor

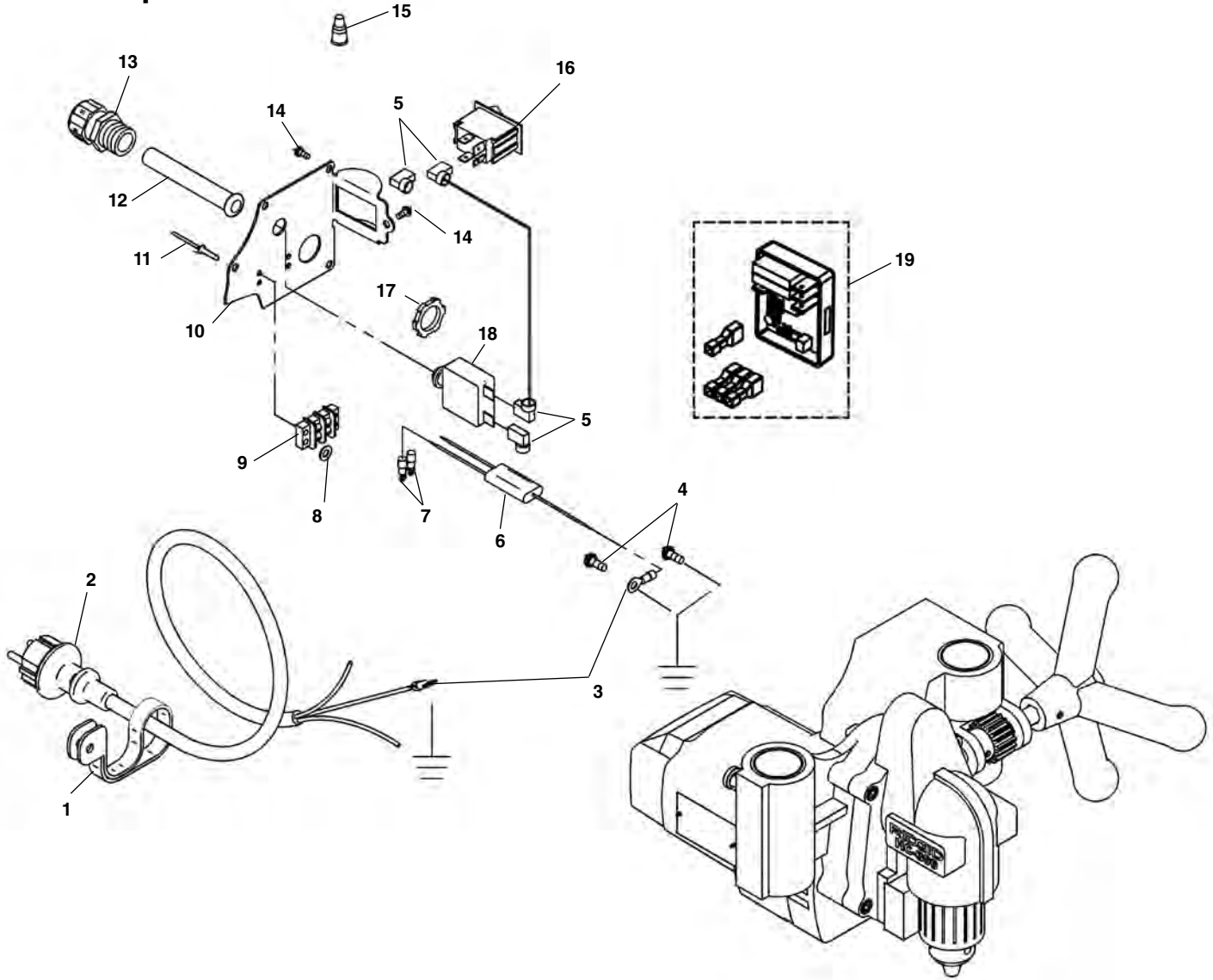
**115V Components**



**NOTE: Order parts by Catalog Number only.  
DO NOT order by Reference Number.**

Ref. No.	Catalog No.	Description	Ref. No.	Catalog No.	Description
1	59102	Key Retainer	8	65602	Strain Relief
2	50502	Line Cord w/GFI	9	46795	Screw #10 - 24 x 1/2" (5)
3	26292	Ring Terminal	10	44635	Wire Nut
4	45420	Screw w/Washer	11	58597	Switch
5	65642	Lock Nut, 1/2" NPT	12	76992	Quick Disconnect, Right Angle (4)
6	87047	Switch Box Cover	13	61302	Circuit Breaker, 12 Amp
7	77002	Cord Guard			

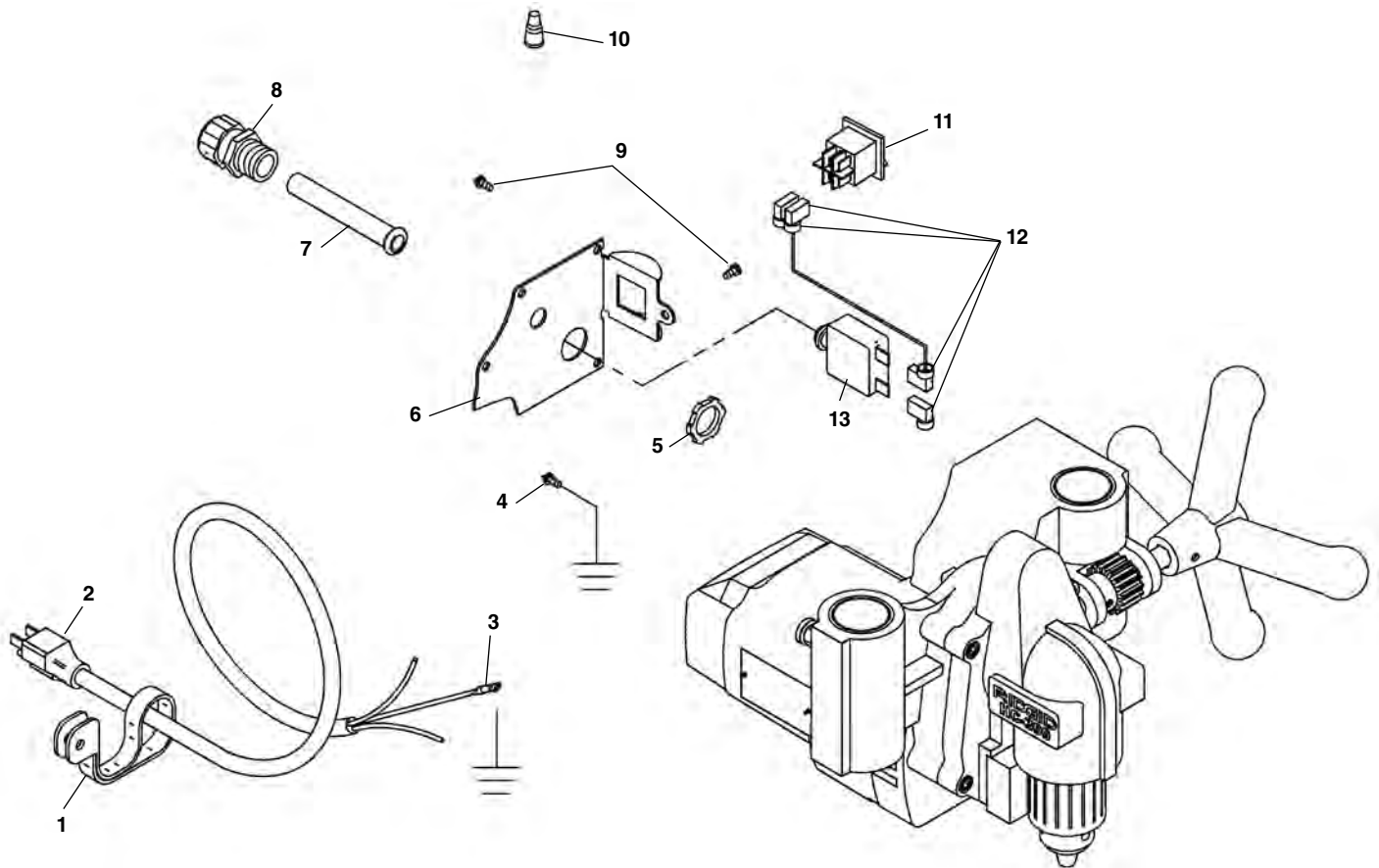
## 230V Components



**NOTE: Order parts by Catalog Number only.  
DO NOT order by Reference Number.**

Ref. No.	Catalog No.	Description	Ref. No.	Catalog No.	Description
1	59102	Key Retainer	11	59112	Pop Rivet 5/32" (2)
2	65842	Line Cord	12	77002	Cord Guard
3	26292	Ring Terminal	13	65602	Strain Relief
4	45420	Screw w/Washer (2)	14	46795	Screw #10 - 24 x 1/2" (5)
5	76992	Quick Disconnect, Right Angle (4)	15	44635	Wire Nut
6	36502	Suppressor	16	58597	Switch
7	90807	Ring Terminal (2)	17	65642	Lock Nut, 1/2" NPT
8	90817	Washer	18	59357	Circuit Breaker, 6 Amp
9	59367	Terminal Block	19	39318	230 V Soft Start Assy.
10	87052	Switch Box Cover			

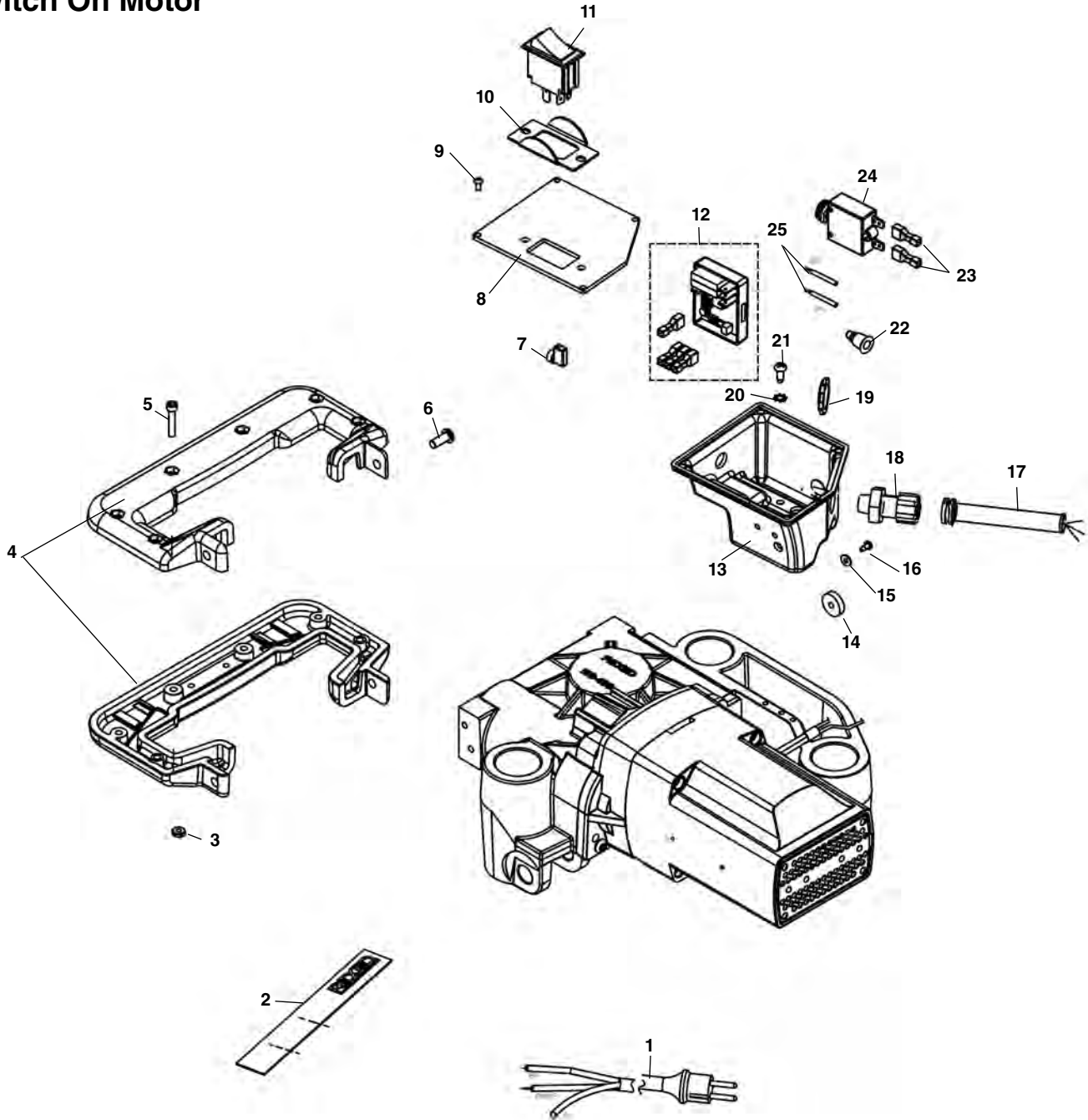
**100V Components**



**NOTE: Order parts by Catalog Number only.  
DO NOT order by Reference Number.**

Ref. No.	Catalog No.	Description	Ref. No.	Catalog No.	Description
1	59102	Key Retainer	8	65602	Strain Relief
2	89155	Line Cord	9	46795	Screw #10 - 24 x 1/2" (5)
3	26292	Ring Terminal	10	44635	Wire Nut
4	45420	Screw w/Washer (2)	11	58597	Switch
5	65642	Lock Nut, 1/2" NPT	12	76992	Quick Disconnect, Right Angle (4)
6	87047	Switch Box Cover	13	58962	Circuit Breaker, 15 Amp
7	77002	Cord Guard			

## Switch On Motor



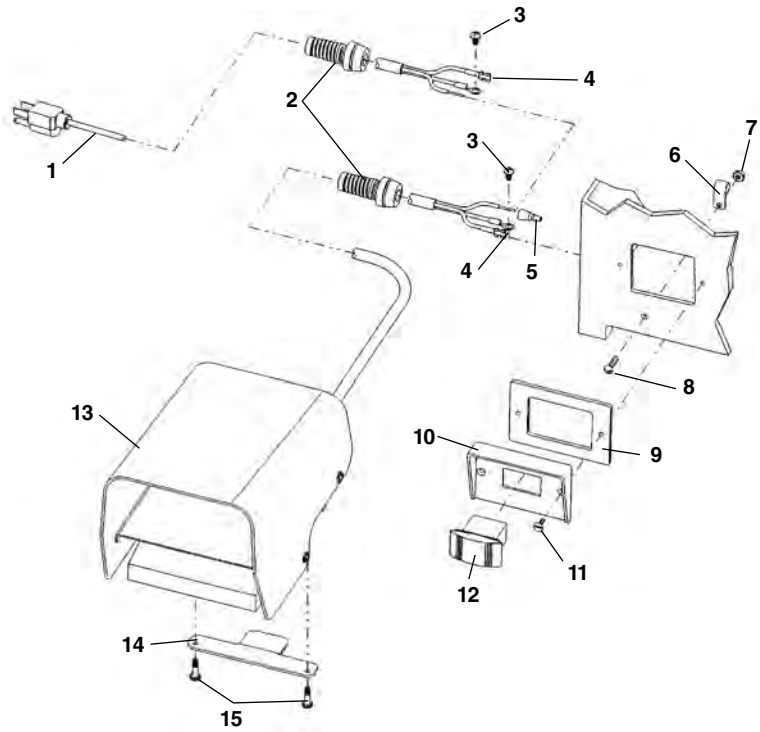
**NOTE: Order parts by Catalog Number only.  
DO NOT order by Reference Number.**

Ref. No.	Catalog No.	Description	Ref. No.	Catalog No.	Description	Ref. No.	Catalog No.	Description
1	50502	Power Cord w GFCI 115V	9	72167	Screw #6-32 x 5/16" (4)	19	65642	Lock Nut 1/2"
	65842	Power Cord w GFCI 220V	10	10408	Switch Guard	20	46985	Washer
	89155	Power Cord 100V	11	58597	Switch	21	59192	Flat Head Screw #10-24 x 1/2"
2	59097	Cinch Strap	12	39318	Soft Start Assy. (220V Only)	22	44635	Wire Nut
3	44695	Hex Nut #10-24 (6)	13	40758	Junction Box	23	59007	Terminal Set
4	40748	Handle Set w/o Switch Holes	14	59397	Gasket	24	61302	Circuit Breaker 12 Amp (120V)
5	93680	Soc. Hd Cap Screw #10-24 x 1" (6)	15	90812	Washer	25	59357	Circuit Breaker 6 Amp (220V)
6	32205	Soc. Hd Cap Screw 1/2"-20 x 5/8" (4)	16	93740	Self Tap Screw (2)		58962	Circuit Breaker 15 Amp (100V)
7	40773	Right Angle Disconnect (2)	17	77002	Cord Guard		73012	Lead Wire Asm
8	40753	Cover Plate 120V	18	65602	Strain Relief			

### Electrical Components – 115V/60Hz

**NOTE: Order parts by Catalog Number only.  
DO NOT order by Reference Number.**

Ref. No.	Catalog No.	Description
1	46740	Power Cord
2	29788	Strain Relief (2)
3	45420	Ground Screw (2)
4	58587	Quick Disconnect (2)
5	44635	Wire Nut
6	54222	Cable Clamp (2)
7	44695	Hex Nut #10-24
8	92455	Screw #10-24 x 3/4" Round Head
9	54172	Switch Gasket
10	74412	Switch Plate
11	54162	Screw 6-32 x 2" Flat Head (2)
12	58597	Switch
13	36642	B-294 Foot Switch
14	58602	Foot Switch Hanger Bracket
15	54357	Screw



### Wiring Diagram – 115V

